



# ASPE NEWS

American Society of Plumbing Engineers

## Eastern Michigan Chapter

[www.aspe.org/Eastern\\_Michigan](http://www.aspe.org/Eastern_Michigan)

Serving our membership since 1975

Vol. 10, Issue 8

### Plumbing Design Class

- Date:** Tuesday, April 17, 2007
- Time:** 4:15 - 5:45 PM Data Book Class  
 5:45 - 6:15 PM Dinner  
 6:15 - 8:45 PM Design Class  
**NEW TIMES - Until further notice**
- Cost:** ASPE & ASSE Members: NC  
 Non-members: \$15.00
- Where:** Plumbing Training Center  
 1911 Ring Rd., Troy, MI  
*SEE map on back page*
- Topic:** Backflow / Cross Connection
- Speakers:** Paul Bladdick  
*See course description pg 3*

#### Coming in May

Medical Gas  
 Presenter: Edward Lyscko, Cleveland Clinic  
*See the full class schedule on our web site.*

#### REGISTRATION REQUIRED

RSVP by the **Friday** prior  
 to day of class

Ed Hawley, VP Tech:  
 (248) 656-8253 phone  
[ehawley2382@wideopenwest.com](mailto:ehawley2382@wideopenwest.com)

### inside...

March Meeting Photos .....	2
VP Tech Report .....	3
April Tech Program .....	3
VP Membership Report .....	5
Sponsors Listing .....	6

## PRESIDENT'S REPORT

John R. Nussbaum, IPP, FASSE



**From the Board Meeting:** The Board of Directors voted to back the State of Michigan's Fire Marshals in their attempt to get fire protection (sprinkler systems) into the 2006 Michigan Residential Building Code, sighting life safety and the many people, including children, who die in house fires each year. Paul Bladdick and Barry Pines are on the ASSE Series 7000 working group. This working group is writing a standard for residential fire protection. The March issue of PM Engineer has two articles about residential fires, "A Paradigm Shift" and "Piping a Residential Sprinkler System." Both articles are worthy of your time to read them. George Johnston said he would do a mass e-mailing and faxing regarding ASPE Night at the Races coming up at the Hazel Park Raceway on Friday, May 11, 2007. The Board agreed to have the election of the 2007/2008 Officers & Director's at the April membership meeting instead of May's meeting, reasoning was due to all the activity that will be taking place at the May meeting dealing with Medical Gases. A demonstration of pipe fabrication will take place in the shop area including a design class by Joe Hernandez and demonstrations of how the different tools and equipment are used in our newly built functional mock-up hospital. Following dinner, our guest speaker, Ed Lyczko from the Cleveland Clinic, has a great presentation on the subject of medical gases.

**General Membership Meeting:** Barry Pines and I gave a brief overview of the Grass Roots Budget Meeting we attended through a web cast hook up with the Society on St. Patrick's Day. Jeffrey Ingerston, one of our evening speakers and the Society secretary treasurer, answered questions regarding member dues, expenditures and the magazine. He indicated the board was meeting in April and he would rather not make any predictions to what the ASPE Board will do with the finance committee recommendations. I did

*continued on page 4*

### ATTENTION MEMBERS

APRIL brings elections for the upcoming year. **If you would like to seek a board position, the time is now.** Just let one of the board members know ASAP of your intentions and you will be placed in nomination for that particular post. What do you get out of it? Participation brings numerous friendships and a career enhancing experience that will last a lifetime. You can make a difference. Not only do you gain, you also have the opportunity to give back and share with those just starting in the industry.

# MARCH TECHNICAL DESIGN CLASS

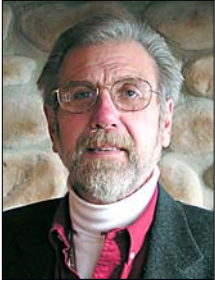
Wes Patton, Photographer



REMEMBER TO THANK OUR SPONSORS

## April Tech Program

### Backflow / Cross Connection



Paul Bladdick

Paul Bladdick has been in the plumbing industry since 1966 and a Master plumber and contractor since 1978. His company, The LPB Co. Inc. has specialized in cross connection control and backflow protection since 1992. Paul is certified to install, repair and test backflow preventers in 14 states. He is qualified as an instructor and proctor for backflow prevention courses.

He is the current president of Michigan Backflow Prevention Association and active member of ABPA – National. He is past president of ASSE – Michigan Chapter and candidate for 3rd vice-president of the International Association. He currently is a member of all technical backflow technical committees. He writes a regular column for Plumbing Standards magazine and has contributed articles for all the major trade magazines. Paul is a regular speaker at the various trade educational seminars including the 2006 ASPE conference in Tampa, Florida.

#### PROGRAM:

Backflow Prevention Assemblies - HOW - WHY – WHERE - This is an in depth, hands-on class to allow participants an opportunity to actually take a backflow preventer apart, see how it works as well as why and where they must be installed. An inter-active video program will be used to show what happens when certain things are done to a backflow preventer. The Plumbing Industry Training Center wet lab will be used to allow for actual testing, disassembling, assembling and simulated repair of working assemblies. Representatives of the different makes and models will be on hand to answer specific questions regarding the mechanics of their particular products.

## VP TECHNICAL REPORT

### Edwin Hawley, CIPE/CPD



A BIG thank you, should go out to Jeffery Ingertson, CPD, a ASPE national board director and ASPE Member Douglas W. Cryer, CPD, who presented the March 20, 2007 ASPE evening meeting, for the most enthusiastic style of deliveries, an example all others should try to follow making it both interesting and informative, a enjoyable way

to have a learning experience. Folks that did not attend this meeting missed a great EDUCATIONAL seminar. Only 39 folks showed up. We've got to do better. Let's try to set a new record for the next two April and May monthly meetings.

Jeff's explanations of the Gastite, the Flexible piping, *Design & Installation Guide* that covered commercial, industrial, residential and the proper method of sizing the piping using the manual which was provided and how to actually use it, including the description of CSST tables, with great examples in his PowerPoint presentation.

Doug followed with another great presentation of VIEGA, ProPressG System connection method using copper piping for gas, water and oil systems. Doug also provided a very detailed package of manuals, brochures and pamphlets with examples in his PowerPoint presentations.

We thank the vendors whom provided the chicken dinner with all the trimmings by Ginny, the caterer. Thank you very much.

- ▲ Gastite, the Flexible Piping System, by Application Engineer Jeffery Ingertson.
- ▲ VIEGA, ProPressG System, by District Manager Douglas W. Cryer

Please, keep up the good work on class registration, by registering no later than 5:00 PM, Friday, April 13, 2007.

*Ed*

DON'T MISS THE MAY 15th CLASS ON MEDICAL GASES  
SEE SPECIAL DEMONSTRATION ON FABRICATION  
VIEW THE NEW MOCK-UP HOSPITAL

## ASPE - Eastern Michigan Chapter's

**TICKETS**  
\$30 per person  
Table for 6  
\$175

*Night at the Races*  
*Hazel Park Raceway*  
*May 11, 2007*

**Don't miss out on  
a fun evening!**

Flyer and ticket order form are available on ASPE EMC web site.  
For questions contact Joe Hernandez: Ph 248-643-6222 or [jvhernandez@ssoe.com](mailto:jvhernandez@ssoe.com)

The simple solution  
for rooftop support.

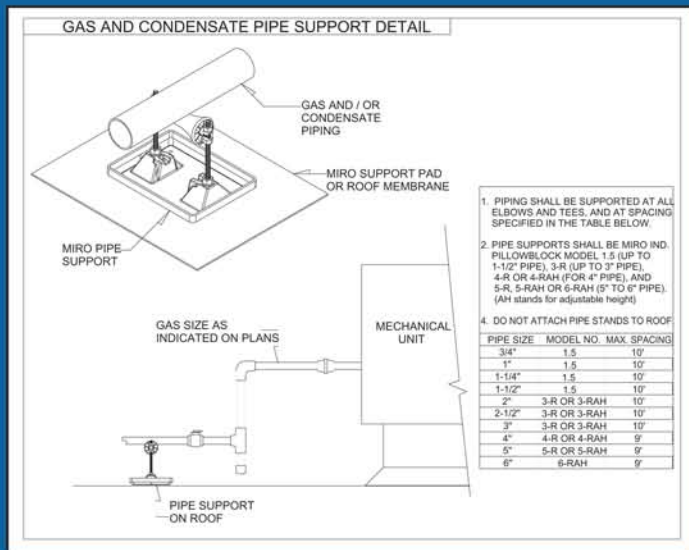
**SOLUTION:**



**PROBLEM:**



Visit MIRO's website to download  
MIRO specifications and Drawings.  
[www.miroind.com](http://www.miroind.com)



**2003 International Fuel Gas Code as referenced by the 2003 International Building Code**

"Pipe hangers and supports shall conform to the requirements of MSS SP-58 and shall be spaced in accordance with Section 415...not to interfere with the free expansion and contraction of the piping..." (Section 407.2)

"...where installed across roof surfaces, shall be elevated not less than 3 1/2" (152 mm) above roof surface." (Section 404)



For More Information please contact our Representative in your area.

**V.E. Sales**  
25200 Jefferson  
St. Clair Shores, MI  
48081  
Ph: 586-774-7760  
Fax: 586-774-1490  
Cindy Zatto  
[cindy@vesalesinc.com](mailto:cindy@vesalesinc.com)

**How Can MIRO Support YOU?**

## President's Report

continued from page 1

mention that the CPD exam will be given two days this year, April 20th and the 21st. If you are registered for the exam, you will be notified of the time and place. Those of you who are CIPE designated must send a letter stating that you accept the CPD designation and that you understand you must get your CEU credits every two years to keep your CPD certification. You will get CEUs when attending our local chapter meetings. Those of you who do not choose to "grandfather in" will need to retake the CPD exam.

**Fuel Gas Systems:** Those plumbing engineers, contractors and installers (journey plumbers) and inspectors who attended the meeting learned a great deal about Gastite the System is the Solution (CSST) and Pro Press G, to install Cu tubing for natural gas, LP gas and fuel oil applications. Jeffrey L. Ingerston and Doug Cryer were outstanding in their presentations. It was interesting to hear that all these systems are propriety systems. We will have the other manufacturers of similar systems do a presentation of their products at another meeting. All these systems are code approved to the manufacturers' installation manuals or in the case of Gastight System, their *Design & Installation Guide* which is written as a standard. Each attendee received a slide rule to desired CSST Length (fit). Again, many thanks to our sponsors Gastite Systems, Lozuaway & Associates, Inc. and Viega.

*Your president,  
John Nussbaum*

GET AN ASPE MGAM DISCOUNT COUPON

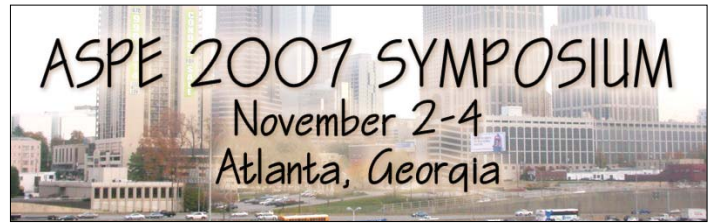
# SAVE 10%

March through September

ASPE Member-Get-A-Member Months

Member-Get-A-Member campaign runs from March through September. Each member who sponsors a new member (see rules for eligibility) into the Society will receive an ASPE Member-Get-A-Member Discount Coupon good for a 10% reduction on any ASPE Product or Service including the Society's membership dues and the 2007 Technical Symposium. You may put coupons together for redemption: each coupon you get will be good for a 10% discount-the coupons are additive. Get ten (10) new members or previous members to rejoin and you can combine them to renew your membership for a year. Questions? Talk to Cindy.

Offer good through September 2007



**Ron George Design & Consulting Services**

**Ron George, CIPE, CPD, President**

PLUMBING-PIPING-FIRE PROTECTION & HVAC SYSTEM DESIGN, CAD SERVICES,  
CODE & STANDARD CONSULTING, LITIGATION SUPPORT,  
FORENSIC INVESTIGATIONS OF MECHANICAL SYSTEM FAILURES,  
TECHNICAL WRITING, TRAINING SEMINARS

<b>Mailing Address:</b>	<b>Street Address:</b>	PH: 734-322-0225
P.O. Box 47	3525 N. Dixie Hwy	Fax: 734-322-2949
Newport, MI 48166	Monroe, MI 48166	Cell: 734-755-1908

E-Mail: [RONGEORGE@CHARTERINTERNET.COM](mailto:RONGEORGE@CHARTERINTERNET.COM)

## WANTED

### Plumbing Designer

- ▶ Min 8 years experience
  - ▶ CIPE or CPD preferred but not required
- Experience designing plumbing systems for commercial buildings. This is for permanent assignments with full benefits in Indiana and Colorado. Pay up to \$80,000.00 per year based on experience level, plus vacation, medical & 401K.

For information contact: Ron George

Cell: 734-755-1908

# NAVIGATOR

Bradley's Navigator Valves use a single valve design for easier installation and maintenance - plus lower lifetime costs and an unmatched 10-year warranty.

For more information, contact:  
Meek Beck & Associates  
11875 Belden Ct • Livonia, MI 48150  
ph: 734-458-2950 • fx: 734-458-2953  
[www.meekbeck.com](http://www.meekbeck.com)



**Bradley**   
Commercial Washroom Innovation

**INTRODUCING**

# Sloan Waterfree Urinals

**WATER CONSERVATION.  
EASY INSTALLATION.  
LOW MAINTENANCE.**

- Water-efficient LEED® credit points
- Hygienic touch-free operation
- Recyclable cartridge
- Odor-free, vandal-resistant
- Easy, fast installation
- Low maintenance costs

Specify Sloan Waterfree Urinals for your clients.

---

**DIVERSIFIED SPEC. SALES  
616-785-9000**

---

**SLOAN**  
Or fax your request to: 800-501-3989  
www.sloanwaterfree.com.

## VP MEMBERSHIP REPORT

**Cindy Zatto**



Current Chapter membership is 128. Membership applications are available on line at [www.aspe.org /Eastern\\_Michigan](http://www.aspe.org/Eastern_Michigan) or [www.aspe.org](http://www.aspe.org), in print from any board member, and at the hospitality desk at ASPE monthly Plumbing Design Class. Members receive *Plumbing Engineering Design Book*, *Plumbing Systems and Design Book*, *Plumbing Systems & Design Magazine*, and the opportunity for collegial interaction and networking. John Nussbaum, President ASPE EMC, challenged each board member at the November board of directors meeting to get two new members each over the next two years. If you are interested in becoming a member of ASPE, please feel free to contact me at 810.343-2713 or [cindy@vesalesinc.com](mailto:cindy@vesalesinc.com), or any board member whose contact information is listed on the last page of this newsletter. We welcome new member:

**Curt Minney**, Venture Technology – Farmington Hills MI  
ASPE EMC Membership Directories continue to be distributed to members at Monthly General Membership meetings. If you are unable to attend one of these meetings and would like to request your copy be mailed to your office or home, just let me know.

*Cindy*

## There is More Than One Good Reason to Spec T&S.



West / East Coast Warehouses  
Outstanding Customer Service  
Family Owned and Operated

**Extensive Product Line** — No matter your industry

24 Hour Quick Ship  
Interchangeability  
Quality and Innovation  
Custom Engineering  
Rigorous Testing  
Codes and Compliances

or application, our extensive range of products and services can meet your needs.



**RELIABILITY BUILT IN**  
[www.tsbrass.com](http://www.tsbrass.com) • 1-800-476-4103

T&S plumbing products represented in Eastern Michigan by:  
Diversified Spec Sales - 248-398-2400

**BALFREY & JOHNSTON, INC.**

Manufacturers' Representatives  
 P.O.Box 37317  
 Oak Park, MI 48237  
 George D. Johnston  
 Ph 313 864-2800 Fax 313 864-7219  
 george@balfrey-johnston.com  
 www.balfrey-johnston.com

**KENNEDY INDUSTRIES, INC.**

Manufacturers' Representatives  
 4975 Technical Drive, P.O. Box 809  
 Milford, MI 48381  
 Steven P. Harkness  
 Ph 248 684-1200 Fax 248 684-6011  
 sharkness@kennedyind.com  
 www.kennedyind.com

**BURKE AGENCY, INC.**

Manufacturers' Representatives  
 2605-A Oakley Park Road  
 Walled Lake, MI 48390  
 Brian Burke, Tom Zimmerman, Brett Young  
 Ph 248 669-2800 Fax 248 669-3310  
 bburke@burkeagency.com  
 www.burkeagency.com

**LOCHINVAR**

High Efficiency Water Heaters and Boilers  
 45900 Port Street  
 Plymouth, MI 48170  
 Jason Loverich  
 Ph 734 454-4480 Fax 734 454-1790  
 jloverich@lochinvar.com  
 www.lochinvar.com

**DE BROKA & ASSOCIATES, INC.**

Manufacturers' Representatives  
 51446 Oro Dr.  
 Shelby Twp., MI 48315  
 Dennis DeBroka  
 Ph 586 532-0811 Fax 586 532-0815  
 www.debroka-assoc.com  
 debroka@sbcglobal.net

**LOZUAWAY & ASSOCIATES, INC.**

Manufacturers' Representatives  
 1117 W. Grand Blanc Rd.  
 Grand Blanc, MI 48439  
 Mike Ostrowski  
 Wayne Phillpotts  
 Ph 810 234-1635 Fax 810 234-8389  
 moski@lozuaway.com

**DIVERSIFIED SPEC. SALES, INC./  
HOWLEY AGENCY SALES CO.**

Manufacturers' Representative  
 13261 Northend Ave.  
 Oak Park, MI 48237-3265  
 Michael J. Burdette  
 Ph 248 398-2400 Fax 248 547-4905  
 www.diversified-spec-sales.com

**MEEK / BECK & ASSOCIATES, INC.**

Manufacturers' Representatives  
 11875 Belden Court  
 Livonia, MI 48150  
 Ross Beck  
 Ph 734 458-2950 Fax 734 458-2953  
 meekandbeck@aol.com  
 www.meekbeck.com

**HS/BUY VAN ASSOCIATES, INC.**

Manufacturers' Representatives  
 56 S. Squirrel  
 Auburn Hills, MI 48326  
 Jarrett Armstrong  
 Bill Allen  
 Ph 888 472-8982 Fax 248 852-0298  
 info@hsbuyvan.com  
 www.hsbuyvan.com

**MERLO STEAM EQUIPMENT CO., INC.**

Manufacturers' Representatives  
 35745 Beattie Dr.  
 Sterling Heights, MI 48312  
 Gregory J. Merlo  
 Ph 586 978-8434 Fax 586 978-8459  
 gregm@merlosteam.com  
 www.merlosteam.com

**K. L. McCOY & ASSOCIATES, INC.**

Manufacturers' Representatives  
 4888 Lakepointe Ave.  
 P.O. Box 24077  
 Detroit, MI 48224  
 Ph 800-533-8226 Fax 313-882-8492  
 John Hux jhux@klmccoy.com  
 Larry Keelan  
 www.klmccoy.com

**NIBCO, INC.**

1516 Middlebury Street  
 Elkhart, IN 46516-4740  
 Dane P. Badgero  
 Ph 800 234-0227 Fax 219 295 3307  
 badgerod@nibco.com  
 www.nibco.com

### **PERFORMANCE ENGINEERING GROUP**

Engineered Water Products  
32955 Industrial Rd.  
Livonia, MI 48150  
Alan Deal  
Ph 734 266-5300 Fax 734 266-5310  
www.performanceengineering.com

### **TRO SALES COMPANY**

Manufacturers' Representatives  
3406 West 12 Mile Road  
Berkley, MI 48072  
Thomas R. Osberger  
Ph 248 546-5354 Fax 248 546-3513  
trosalesco@aol.com

### **QUALITY WATER & AIR, INC.**

Manufacturers' Representative  
1402 Souter  
Troy, MI 48083  
Alec Bien  
Ph 248 589-8010 Fax 248 589-8016  
qualitywaterair@cs.com  
www.qualitywaterair.com

### **UNDERWOOD FIRE EQUIPMENT INC.**

Fire Equipment Sales, Service, Repair & Testing  
P.O. Box 43  
Novi, MI 48376  
Darrell W. Underwood  
Ph 248 347-4975 Fax 248 347-0843  
info@underwoodfire.com  
www.underwoodfire.com

### **R.L. DEPPMANN COMPANY**

Southfield \* Grand Rapids \* Saginaw  
Southfield Office:  
20929 Bridge St.  
Southfield, MI 48034  
Norm Hall  
Ph 248 354-3710 Fax 248 354-3763

### **V.E. SALES COMPANY, INC.**

Manufacturers' Representatives  
25200 Jefferson Avenue  
St. Clair Shores, MI 48081-2347  
Cynthia Zatto cindy@vesalesinc.com  
Ph 586 774-7760 Fax 586 774-1490  
cell 810-343-2713  
www.vesalesinc.com

### **SALES SERVICE PLUS, INC.**

Manufacturers' Representatives  
45606 Mast St.  
Plymouth, MI 48170  
Kirby J. Meagher  
Ph 734 454-7620 Fax 734 454-7632  
kmeagher@salesserviceplus.com  
www.salesserviceplus.com

### **DAVE WATSON ASSOCIATES, INC.**

Manufacturers' Representatives  
1325 W. Beecher St.  
Adrian, MI 49221  
Dave Watson, Jr.  
Ph 517 263-8988 Fax 517 263-2328  
dwa@davewatson.biz

### **TAGGART-KNIGHT GROUP**

Manufacturers' Representatives  
32985 Hamilton Court, Suite 102  
Farmington Hills, MI 48334  
Gary O. Taggart  
Ph 248 553-4388 Fax 248 553-4653  
info@taggartco.com

### **PLEASE SUPPORT OUR SPONSORS**

For a complete listing and handy buyer's guide of the product lines carried by our sponsors please visit our web site at [aspe.org/Eastern\\_Michigan/newsletter.htm](http://aspe.org/Eastern_Michigan/newsletter.htm) and print out the Sponsor List (PDF) or visit our sponsors' web page on our web site.

“There's no trick to being a humorist when you have the whole government working for you.”

“Be thankful we're not getting all the government we're paying for.” – *Will Rogers* US humorist & showman (1879 - 1935)

“Wit makes its own welcome, and levels all distinctions. No dignity, no learning, no force of character, can make any stand against good wit. – *Ralph Waldo Emerson, Letters and Social Aims: The Comic, 1876, US essayist & poet (1803 - 1882)*



# ASPE NEWS

American Society of Plumbing Engineers-Eastern Michigan Chapter

Mary Chapman, Newsletter Editor  
P.O. Box 37317  
Oak Park, MI 48237

Internet Address  
[http://www.aspe.org/Eastern\\_Michigan](http://www.aspe.org/Eastern_Michigan)  
Region 2 - Great Lakes  
Eastern Michigan

Non-Profit Corporation  
Local Chapters Not Authorized To Speak For The  
Society

## First Class Mail

### 2006-2007 ASPE-EMC Board and Committee Chairpersons

#### President

John Nussbaum, FASSE IPP  
MCA Detroit  
14801 W. Eight Mile Road  
Detroit, MI 48235  
(313) 341-7661 x 211 Fax: 341-1007  
jnussbaum@mcadetroit.org

#### Treasurer

John Snyder, CIPE/CPD  
31758 Edgeworth Dr.  
Madison Heights, MI 48071  
(248) 588-8741 Fax: 577-0104  
johnasnyder@wowway.com

#### ASPE Handbook Instructor

Joseph Hernandez, CIPE/CPD  
SSOE, Inc.  
1050 Wilshire Dr., Ste. 260  
Troy, MI 48084-1526  
(248) 643-6222 Fax: 643-6225  
jvhernandez@ssoe.com

#### Vice-President Technical

Edwin L. Hawley, CPD  
ELH Group, Inc.  
2124 Winchester Rd.  
Rochester Hills, MI 48307  
(248) 656-8253  
ehawley2382@wideopenwest.com

#### Administrative Secretary

Chad Kunding  
R. L. Deppmann Company  
20929 Bridge Street  
Southfield, MI 48034  
(248) 354-3710 Fax: 354-3763  
ckunding@deppmann.com

#### Imm. Past President

Esteban Cabello, PE, CPD  
JRED Engineering, Inc.  
5608 N. Charlesworth St.  
Dearborn Hts., MI 48127  
(313) 565-5580  
jredengineering@comcast.net

#### Vice-President Legislative

Barry Pines, CIPE/CPD  
C&R Plumbing & Heating, Inc.  
51195 Fischer Park Drive  
Shelby Twp, MI 48316  
(586) 739-8915 Fax: 731-5650  
bpines@cr-plumbing.com

#### Corresponding Secretary

George Johnston  
Balfrey & Johnston, Inc.  
P.O. Box 37317  
Oak Park, MI 48237  
(313) 864-2800 Fax: 864-7219  
george@balfrey-johnston.com

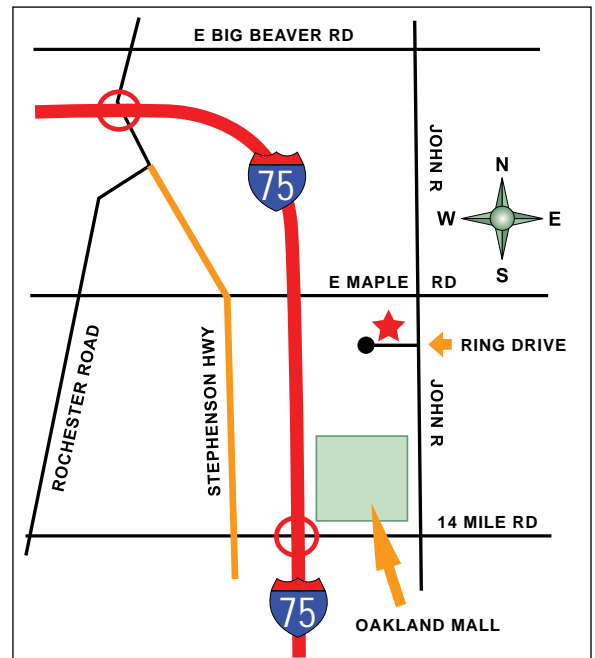
#### Vice-President Membership

Cindy Zatto  
V. E. Sales Company, Inc.  
25200 Jefferson Ave.  
St. Clair Shores, MI 48081  
(586) 774-7760 Fax: 774-1490  
cindy@vesalesinc.com

#### Newsletter / Web Editor

Mary Chapman  
MCA Detroit  
14801 W. Eight Mile Road  
Detroit, MI 48235  
(313) 341-7661 x 210 Fax: 341-1007  
mchapman@mcadetroit.org

### Map to the Plumbing Industry Training Center 1911 Ring Drive - Troy, MI West of and off John R, north of 14 Mile Rd.



ASPE News is published 10 times per year (September through May, plus one summer issue). Yearly advertising rates are \$250.00 per ad for members and \$300.00 for non-members. Insert advertisements are \$250.00 per newsletter and \$50 for each additional page. For HELP WANTED ad rates, quarter-page and half-page product ads, please contact Mary Chapman. Checks should be made payable to ASPE E. Mich. Chapter and mailed to the attention of Mary Chapman at 14801 W 8 Mile Rd, Detroit, MI 48235. All newsletter inserts should be mailed to ASPE-EMC Corresponding Secretary George Johnston with a copy sent to Mary Chapman. Circulation 400 - Distributed to: Engineers, Contractors, Inspectors, and other industry professionals in Michigan. For contributing articles contact Mary Chapman, Newsletter Editor at: mchapman@mcadetroit.org.